

Small Enterprise Environment Monitoring System

ENVIROMUX®

SNMP and Web monitoring/management of server room environments. Provides early warnings before critical events turn into disaster.

Environment Monitoring

- Remote Temperature/ Humidity Sensors over IP
- Temperature
- Humidity
- Water Leaks
- Air Flow
- Power
- Motion / Intrusion
- Vibration
- Smoke / Carbon Monoxide

Alert Notifications

- Email
- SNMP
- Webpage
- Voice Phone Calls
- SMS Messages
- Front Panel LEDs

Key Features

- Supports NTI's advanced sensors which can be extended up to 1,000 feet using Cat5/5e/6 cable
 - Sensors are hot pluggable
- Monitor (ping) up to 16 IP network devices – alerts are sent if devices are not responding
- Sensor conditions (events) can be configured to trigger alerts by themselves, and/or be used in combination with other events to trigger Smart Alerts.
- Integrates with various Open Source monitoring packages – Nagios and MRTG
- Optional battery backup – alerts are sent when there is a power outage and when power returns
- Available with dual redundant power for connection to two separate power sources. (The second power supply is sold separately.)
- Cascade up to 5 units via Ethernet connection (1 master, 4 slaves) to increase the number of sensors connected.
- USB ports for connecting USB modem or for downloading log data to USB flash drive
- Flexible Zero-RU mounting; optional DIN mounting or 1RU rack mount kit available

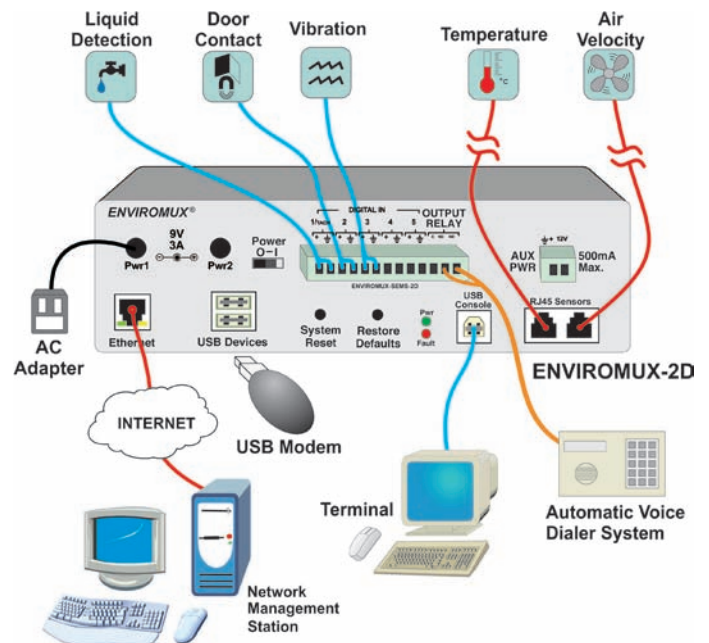


ENVIROMUX-2D (Front & Back)

- **Configure Smart Alerts for different event combinations**
- **2 external configurable sensors, 5 digital inputs, 1 output relay**
- **User-programmable IP camera snapshots**
- **Linux inside**
- **Cascade up to 5 units via Ethernet connection (1 master, 4 slaves)**

The ENVIROMUX® Small Enterprise Environment Monitoring System monitors critical environmental conditions (such as temperature, humidity, and water leakage) that could destroy network components in your server room. When a sensor goes out of range of a configurable threshold, the system will notify you via email, SNMP traps, web-page alerts, a visual indicator (red LED), voice phone calls (via Automatic Voice Dialer System), and SMS messages (via USB 3G modem).

The system supports two external configurable sensors, five digital input sensors, and one output relay for control of external devices.

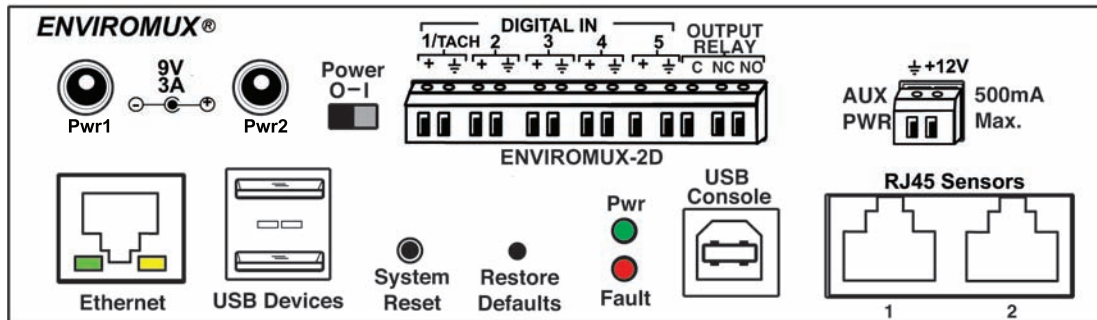


Ideal for data centers, co-lo sites, web hosting facilities, telecom switching sites, POP sites, server closets, or any unmanned area that needs to be monitored.

Small Enterprise Environment Monitoring System

ENVIROMUX®

**SNMP and Web monitoring/management of server room environments.
Provides early warnings before critical events turn into disaster.**



	ENVIROMUX-2D
RJ45 Sensor Ports	2
Digital Inputs – Screw Terminal Pairs	5
Output Relays – Screw Terminal Pairs	1
Remote Temp/Humidity Sensors over IP	8
Auxiliary (12V) – Power Terminal	✓
Alerts	7 methods
Email	Authenticates
Web Page	✓
SNMP traps (v1,v2c,v3)	✓
LEDs	2 (Power, Fault)
Alarm beacon/Siren	Can be connected (using output relay)
Voice Phone Calls	✓ - via Automatic Voice Dialer System (not included)
SMS Messages	✓ - via external USB 3G modem (not included)
Smart Alerts	✓
Control Methods	5 methods
Web Interface	✓
Telnet	✓
SNMP Monitoring (v1,v2c,v3)	✓
SSH	✓
USB-to-Serial Console	✓
USB Ports for Modem and Data Logging	2
Expandable/Cascade	Up to 5 units via Ethernet connection (1 master, 4 slaves) Up to 3,000 units via optional management software
Flash Upgrade	✓
Linux Inside	✓
Restore Defaults Button	✓
System Reset Button	✓
Protocols Supported:	HTTP/HTTPS, SNMP V1/V2c/V3, SMTP, TCP/IP, Syslog, SNTP, DHCP, SSHv2, SSLv3, LDAPv3, AES 256-bit, 3DES, Blowfish, RSA, EDH-RSA, Arcfour, IPV6, WAP 2.0
Operating Temperature	32 to 140°F (0°C to 60°C)
Storage Temperature	-22 to 140°F (-30°C to 60°C)
Operating & Storage Relative Humidity	17 to 90% non-condensing RH
Backup Battery	Optional - up to 2 Hours
Monitor (Ping) IP Devices	✓ - up to 16 network devices
Power	100 to 240 VAC at 50 or 60Hz via AC Adapter Options: Dual DC Power
Dimensions WxDxH (in)	5.82x3x1.75
Mounting	Zero-RU - mounting tabs included Optional 1RU mounting kit Optional DIN rail mounting kit
Regulatory Approvals	CE, RoHS
Warranty	2 years