

DVI/HDMI Video Switch with Audio VIDMUX®

Share one DVI-D/HDMI monitor among multiple video sources



VIDMUX® SE-DVI-4A (Front & Back)



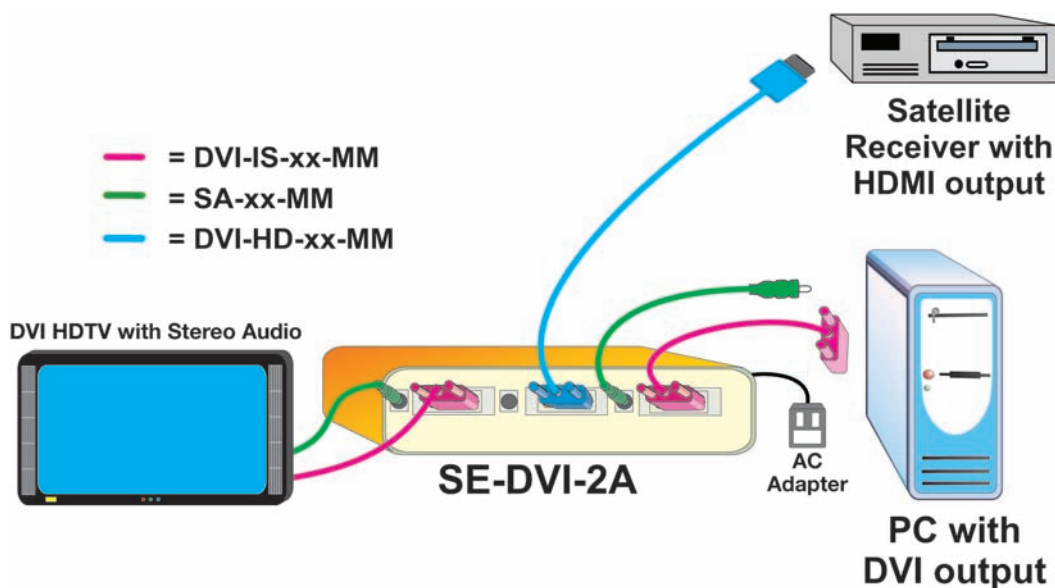
VIDMUX® SE-DVI-4ARS (Front & Back)

- **DVI + Audio**
- **DVI + Audio + RS232**

The VIDMUX® DVI/HDMI video/audio switch enables one DVI/HDMI display and speakers to be switched between up to eight single link digital DVI/HDMI video sources.

- Supports DVI interface for crisp and clear video quality on flat panel display.
- Supports HDTV resolutions up to 1080p and computer resolutions to 1920x1200 (WUXGA).
- Eliminates redundant video displays.
- Compliant with HDMI 1.3 standards (2- and 4-port models only).
- Supports the DDC2B protocol.

- 3.5 mm stereo audio input for each channel.
 - SE-DVI-8ARS: two-way audio support for speakers and microphone.
- Passes HDMI audio signal through DVI-I port.
 - Transmit audio and video over a single cable with the DVI-HD-xx-MM male DVI-D to male HDMI cable.
- Control via push button, infrared remote (IR) control, or optional RS232.
- IR remote control includes power on/off, mute function, and break-away audio (switch audio independent of video).
- HDCP compliant.



Share one DVI-D/HDMI monitor among multiple video sources

Specifications

Audio/Video Input

- Female DVI-I connectors.
- 3.5 mm stereo audio jacks.
 - SE-DVI-8ARS: audio out/mic in for two-way audio support.
- Compatible with computers and HDTV video sources (satellite receivers, DVD players, etc) with single link digital DVI outputs.

Audio/Video Output

- One Female DVI-I connector.
- One 3.5 mm stereo audio jack.
 - SE-DVI-8ARS: audio out/mic in for two-way audio support.
- Single link DVI-D signal.
- Supports HDTV resolutions to 1080p and computer resolutions to 1920x1200 (WUXGA).

Power

- 100 to 240 VAC at 50 or 60 Hz via AC Adapter.

Dimensions (WxDxH)

- SE-DVI-2/4A: 6.41x2.86x1.03 in (163x73x26 mm).
- SE-DVI-2/4ARS: 6.46x2.77x1.55 in (164x70x39 mm).
- SE-DVI-8ARS: 17.3x5.16x1.73 in (440x131x44 mm).
 - Includes 1RU rackmount kit.

Regulatory Approvals

- CE, FCC

Warranty

- Two years

Compatible NTI Products

- Combine NTI's extenders, switches, splitters and cables for complex applications
 - DVI-I Single Link Interface Cable (DVI-IS-xx-MM)
 - DVI-D to HDMI Single Link Interface Cable (DVI-HD-xx-MM)
 - HDMI Video Splitter (VOPEX-HDS-x)

Control Methods

RS232 Control Option

- Control
 - 2- and 4-port switches:
 - ♦ Female DB9 connector.
 - Add "RS" to the end of the part number to specify this option.
 - 8-port switch:
 - ♦ Female RJ45 connector.
 - 5' RJ45 CAT5 cable and DB9 female to RJ45 female adapter included.
 - Baud rate 300 through 9600.
- Commands
 - RS – causes switch to reset so that IN1 connects to OUT1, IN2 connects to OUT2.
 - CS – causes one INx/OUTx connection to occur.
 - RO – reads what output is connected to specified input.
 - RU – reads size of switch, reports number of inputs and number of outputs on specified switch.

Push Button Control

- 2- and 4-port switches:
 - Each button press changes the connected video and audio input to the next consecutive video and audio input.
 - ♦ Video and audio signals cannot be switched separately.
- 8-port switch:
 - Each button, when pressed, changes the connected video and audio input to its corresponding source.
 - ♦ Video and audio signals can be independently switched.

IR Remote Control

- Control can be done using the included IR remote control.
- Independently switch video and audio signals.
- Press any button in the Video or Audio section to switch the respective output to that input.
- Press "Mute" button to disrupt the Audio Out signal (2- and 4-port models only).

Cables

- SE-DVI-2A: Three 6" (152 mm) Male to Female Stereo Audio low profile extension cables included.
- SE-DVI-4A: Five 6" (152 mm) Male to Female Stereo Audio low profile extension cables included.
- SE-DVI-8ARS: 5' RJ45 CAT5 patch cable and DB9 female to RJ45 female adapter for RS232 connection.
- Use DVI-HD-xx-MM DVI-D to HDMI interface cable to connect the video source or display with integrated speakers (not included).

DVI Switch		
Supported Features	NTI Part #	# of Ports
DVI + Audio	SE-DVI-2A	2
DVI + Audio	SE-DVI-4A	4
DVI + Audio + RS232	SE-DVI-2ARS	2
DVI + Audio + RS232	SE-DVI-4ARS	4
DVI + Audio + RS232	SE-DVI-8ARS	8